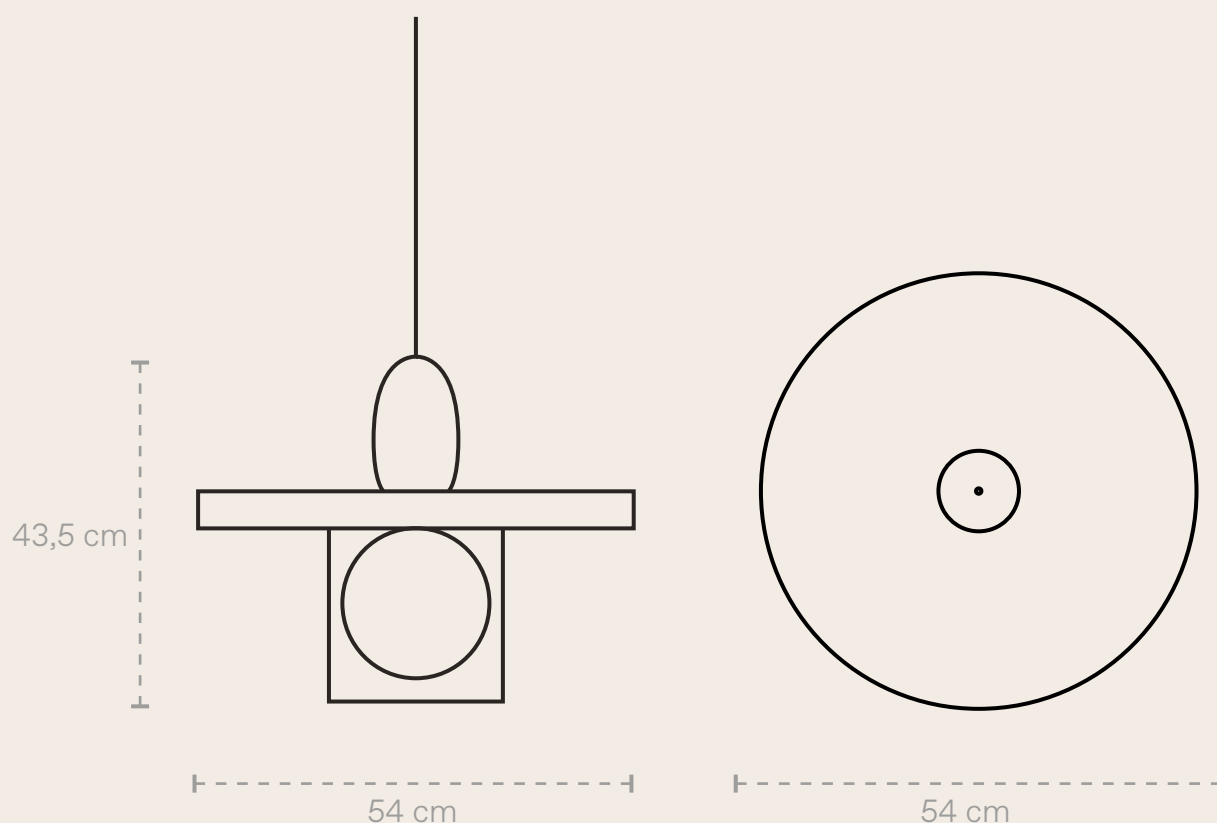


EIRENE

sphær

Eirene is the custodian of peace and harmony. She symbolises nature's cycle, which brings all forces into balance in circulating phases. Eirene personifies harmony, accord, and the prosperity that sprouts from peace. Just as the much-anticipated spring heralds the world's awakening, so does Eirene bring blooming possibilities into our lives.



COLORS

Petrol | Orange | Rosé



CATEGORY

Pendant Light

ENVIRONMENT

Indoor

DIMENSIONS

h: 43,5 cm / w: 54 cm / d: 54 cm

WEIGHT

12,3 kg

The weight may vary by 1-2 kg, as it is a handmade product.

VOLTAGE

220-240V AC

LIGHT SOURCE

E27 / 8W / 6500K
Bulb is included

PENDANT TUBE MOUNTED ON THE LAMP

25 cm

3 x 30 CM PENDANT TUBES are included with the order

MATERIAL & FINISH

Eirene consists of a cylindrical transparent glass, behind which a pink-pigmented glass sphere encloses the light body. Above it is a petrol-coloured lacquered wood and an orange-painted ceramic part.

A suspension tube made of sturdy iron, coloured in gold-silver, holds the lamp stable and securely, with the length of the suspension being adjustable.